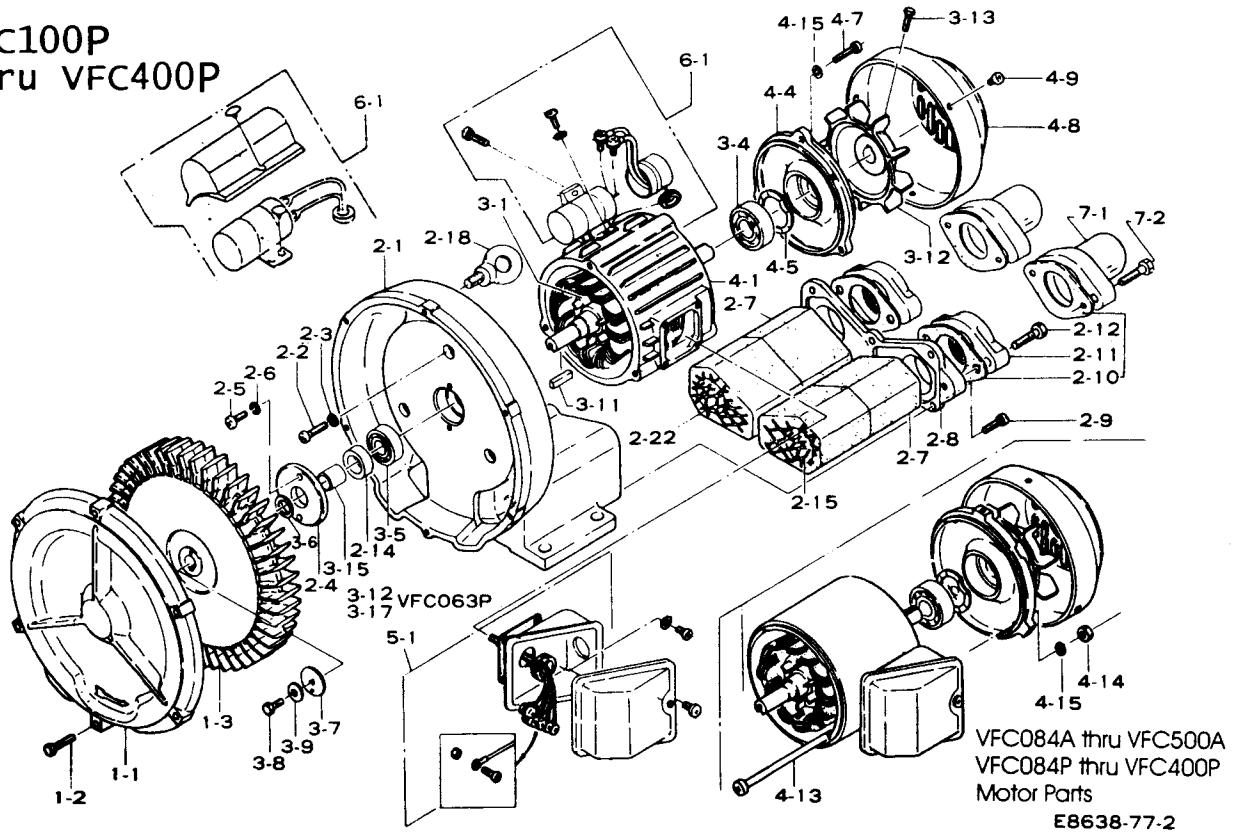
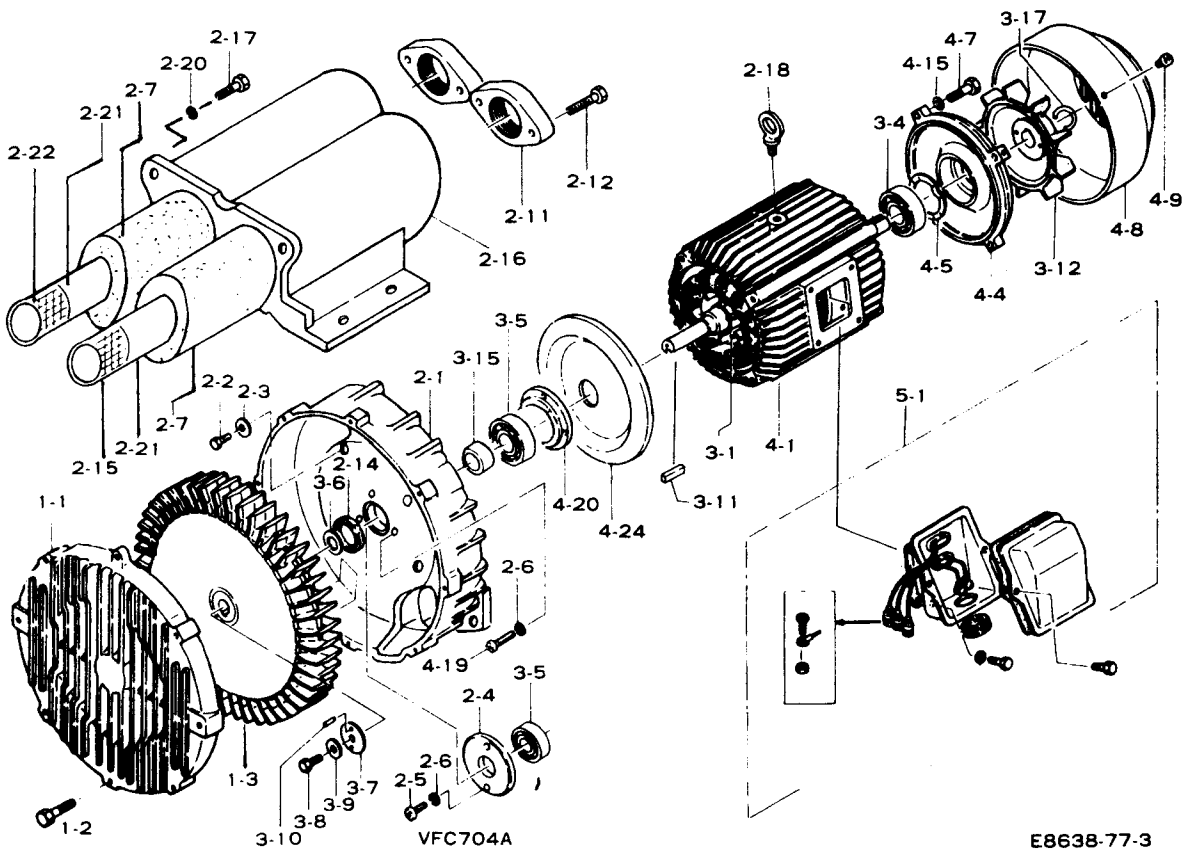


# VFC084A, VFC100A thru VFC600A, VFC063P thru VFC400P and 504P assembly diagram

VFC100P  
thru VFC400P



# VFC704A thru VFC904A assembly diagram



# PARTS LIST

When ordering, specify Model No. Serial NO. Name of part, Part No., and Quantity.  
Right column shows number of required parts in each unit.

| FIG  | NAME OF PART                          | VFC                     | VFC     | VFC    | VFC    | VFC    | VFC    | VFC     | VFC     | VFC    | VFC    | VFC    | VFC     | VFC    | VFC    | VFC    | VFC    | VFC     |
|------|---------------------------------------|-------------------------|---------|--------|--------|--------|--------|---------|---------|--------|--------|--------|---------|--------|--------|--------|--------|---------|
|      |                                       | 063P                    | 084P    | 100P   | 200P   | 300P   | 400P   | 504P    | 084A    | 100A   | 200A   | 300A   | 400A    | 500A   | 600A   | 704A   | 804A   | 904A    |
| No.  |                                       | PART NO.                |         |        |        |        |        |         |         |        |        |        |         |        |        |        |        |         |
| 1-1  | Casing Cover                          | 06P101                  | 108P101 | 11S101 | 12S101 | 13S101 | 14Q101 | 15B101  | 108P101 | 11S101 | 12S101 | 13S101 | 14Q101  | 15B101 | 16B101 | 17C101 | 18C101 | 19C101  |
| 1-2  | Bolt-Casing Cover                     | 06P102                  | 54P409  | 64Q409 | 61Q504 | 61Q504 | 64Q102 | 85A102  | 84P409  | 64Q409 | 61Q504 | 61Q504 | 64Q102  | 85A102 | 85A102 | 7A102  | 7A102  | 7A102   |
| 1-3  | Impeller                              | 06P103                  | 108P103 | 11Q103 | 12R103 | 13R103 | 14Q103 | 15C103  | 108P103 | 11Q103 | 12R103 | 13R103 | 14Q103  | 15C103 | 16C103 | 17C103 | 18C103 | 19C103  |
| 2-1  | Casing                                | 06P201                  | 108P201 | 11S201 | 12R201 | 13R201 | 14B201 | 15S201  | 108P201 | 11S201 | 12R201 | 13R201 | 14B201  | 15S201 | 16C201 | 17C201 | 18C201 | 19C201  |
| 2-2  | Bolt-Casing                           | 06P202                  | 3       | N/A    | N/A    | N/A    | N/A    | 5A202   | 3       | N/A    | N/A    | N/A    | N/A     | N/A    | 6A202  | 3      | 7C202  | 4       |
| 2-3  | Spring Washer                         | N/A                     | N/A     | N/A    | N/A    | N/A    | N/A    | 4P203   | 3       | N/A    | N/A    | N/A    | N/A     | N/A    | 4P203  | 3      | 4P203  | 4       |
| 2-4  | End Cover                             | N/A                     | 1P204   | 11Q204 | 12Q204 | 12Q204 | 14Q204 | 15C204  | 11P204  | 11Q204 | 12Q204 | 12Q204 | 14Q204  | 15C204 | 16C204 | 17C204 | 18C204 | 19C204  |
| 2-5  | Bolt-End Cover                        | N/A                     | 1P205   | 22P205 | 22P205 | 22P205 | 24Q205 | 24P205  | 21P205  | 22P205 | 22P205 | 22P205 | 24Q205  | 24P205 | 24P205 | 24P205 | 24P205 | 24P205  |
| 2-6  | Spring Washer                         | N/A                     | 1P203   | 22P206 | 22P206 | 22P206 | 22P206 | 24P203  | 21P203  | 22P206 | 22P206 | 22P206 | 24P203  | 24P203 | 24P203 | 24P203 | 24P203 | 24P203  |
| 2-7  | Silencer Assembly(Suc.& Del.)         | 06P207                  | 11Q207  | 11Q207 | 12Q207 | 13Q207 | 14Q207 | 15B207  | 11Q207  | 11Q207 | 12Q207 | 13Q207 | 14Q207  | 15C207 | 16B207 | 17C207 | 18C207 | 19C207  |
| 2-8  | Flange                                | 06P208                  | 108P208 | 11Q208 | 12R208 | 13Q208 | 14Q208 | 15C208  | 108P208 | 11Q208 | 12R208 | 13Q208 | 14Q208  | 15C208 | 16B208 | 17C208 | 18C208 | 19C208  |
| 2-9  | Bolt-Flange                           | 06P202                  | 34R209  | 64Q205 | 62P205 | 52P205 | 64Q209 | 65C209  | 64R209  | 64Q205 | 62P205 | 52P205 | 64Q209  | 65C209 | 62P205 | 6      | N/A    | N/A     |
| 2-10 | Gasket-Flange                         | N/A                     | N/A     | 1P210  | 22P210 | 23P210 | 24P210 | 25A210  | 2       | N/A    | 1P210  | 22P210 | 23P210  | 24P210 | 25A210 | 26A210 | 26A210 | 26A210  |
| 2-11 | Threaded Flange                       | N/A                     | N/A     | 1P211  | 22P211 | 23P211 | 24P211 | 25A211  | 2       | N/A    | 1P211  | 22P211 | 23P211  | 24P211 | 25A211 | 26A211 | 26A211 | 26A211  |
| 2-12 | Bolt-Threaded Flange                  | N/A                     | N/A     | 1Q212  | 41Q212 | 43Q212 | 47A407 | 47A407  | 4       | N/A    | 1Q212  | 41Q212 | 43Q212  | 47A407 | 47A407 | 48B212 | 48B212 | 49A422  |
| 2-14 | Shaft Seal                            | N/A                     | N/A     | 1R214  | 22P214 | 22P214 | 14P214 | 15C214  | 1       | N/A    | 1R214  | 12P214 | 12P214  | 14P214 | 15C214 | 17A214 | 17A214 | 18A214  |
| 2-15 | Silencer Retaining Nut(Suc.)          | N/A                     | N/A     | N/A    | N/A    | N/A    | 4R215  | 15B215  | 1       | N/A    | N/A    | N/A    | N/A     | 4R215  | 15C215 | 16E215 | 17C215 | 18C215  |
| 2-16 | Silencer Box                          | N/A                     | N/A     | N/A    | N/A    | N/A    | N/A    | N/A     | N/A     | N/A    | N/A    | N/A    | N/A     | N/A    | N/A    | 7C216  | 18C216 | 19C216  |
| 2-17 | Bolt-Silencer Box                     | N/A                     | N/A     | N/A    | N/A    | N/A    | N/A    | N/A     | N/A     | N/A    | N/A    | N/A    | N/A     | N/A    | N/A    | 7A407  | 58C217 | 58C217  |
| 2-18 | Lifting Bolt                          | N/A                     | N/A     | N/A    | N/A    | N/A    | N/A    | 5A218   | 1       | N/A    | N/A    | N/A    | N/A     | N/A    | 5A218  | 17A218 | 16A218 | 17A218  |
| 2-20 | Washer-Silencer Box                   | N/A                     | N/A     | N/A    | N/A    | N/A    | N/A    | N/A     | N/A     | N/A    | N/A    | N/A    | N/A     | N/A    | N/A    | 7A203  | 59C203 | 59C220  |
| 2-21 | Silencer Retaining Sheath(Suc.& Del.) | N/A                     | N/A     | N/A    | N/A    | N/A    | N/A    | N/A     | N/A     | N/A    | N/A    | N/A    | N/A     | N/A    | N/A    | 7C221  | 28C221 | 29C221  |
| 2-22 | Silencer Retaining Nut( Del.)         | N/A                     | N/A     | N/A    | N/A    | N/A    | 4R222  | 15B222  | 1       | N/A    | N/A    | N/A    | N/A     | 4R222  | 15C222 | 16C222 | 17C215 | 18C215  |
| 3-1  | Rotor and Shaft Assembly              | 06P301                  | 108P301 | 11S301 | 12S301 | 13S301 | 14S301 | 15S301  | 108A301 | 11B301 | 12C301 | 13C301 | 14E301  | 15C301 | 16E301 | 17D301 | 18D301 | 19D301  |
| 3-4  | Bearing-Rear                          | 06P304                  | 11P304  | 12P304 | 13P304 | 14P304 | 15A305 | 11P304  | 12P304  | 13P304 | 14P304 | 15A305 | 11P304  | 12P304 | 13P304 | 14P304 | 15A305 | 11P304  |
| 3-5  | Bearing-Front                         | 06P304                  | 11P304  | 12P304 | 13P304 | 14P304 | 15D305 | 11P304  | 12P304  | 13P304 | 14P304 | 15D305 | 11P304  | 12P304 | 13P304 | 14P304 | 15D305 | 11P304  |
| 3-6  | Bearing-Shim                          | 06P306                  | 11P306  | 12P306 | 13P306 | 14P306 | 15C306 | 11P306  | 12P306  | 13P306 | 14P306 | 15C306 | 11P306  | 12P306 | 13P306 | 14P306 | 15C306 | 11P306  |
| 3-7  | Plate Retaining                       | 06P307                  | 11Q307  | 12Q307 | 13Q307 | 14Q307 | 15B307 | 11Q307  | 12Q307  | 13Q307 | 14Q307 | 15C307 | 11Q307  | 12Q307 | 13Q307 | 14Q307 | 15C307 | 11Q307  |
| 3-8  | Bolt-Impeller                         | 06P308                  | 11P308  | 12P308 | 13P308 | 14P308 | 15C308 | 11P308  | 12P308  | 13P308 | 14P308 | 15C308 | 11P308  | 12P308 | 13P308 | 14P308 | 15C308 | 11P308  |
| 3-9  | Tab-Washer                            | 4P203                   | 11P309  | 12P309 | 13P309 | 14P309 | 15C309 | 11P309  | 12P309  | 13P309 | 14P309 | 15C309 | 11P309  | 12P309 | 13P309 | 14P309 | 15C309 | 11P309  |
| 3-10 | Pin                                   | N/A                     | N/A     | N/A    | N/A    | N/A    | N/A    | N/A     | N/A     | N/A    | N/A    | N/A    | N/A     | N/A    | N/A    | N/A    | N/A    | N/A     |
| 3-11 | Key-Impeller                          | N/A                     | 08P311  | 11P311 | 12P311 | 13P311 | 14P311 | 15B311  | 108P311 | 11P311 | 12P311 | 13P311 | 14P311  | 15B311 | 16A311 | 17A311 | 18A311 | 19A311  |
| 3-12 | Motor Fan                             | 06P312                  | 108P312 | N/A    | 2S312  | 2S312  | 14S312 | 16D312  | 108P312 | 11N/A  | 2S312  | 2S312  | 14S312  | 16D312 | 17D312 | 18D312 | 19D312 | 19D312  |
| 3-13 | Bolt-Motor Fan                        | N/A                     | 08P313  | N/A    | 2S313  | 2S313  | 12S313 | 15S313  | 108P313 | 11N/A  | 2S313  | 2S313  | 12S313  | 15S313 | 16A313 | 17A313 | 18A313 | 19A313  |
| 3-15 | Collar                                | N/A                     | N/A     | 2P315  | 12P315 | 12P315 | 14P315 | 1       | N/A     | N/A    | 2P315  | 12P315 | 12P315  | 14P315 | 1      | N/A    | N/A    | 8C315   |
| 3-17 | Retaining Rings-C Type                | 06P317                  | 11N/A   | N/A    | N/A    | N/A    | N/A    | N/A     | N/A     | N/A    | N/A    | N/A    | N/A     | N/A    | N/A    | 7D317  | 17D317 | 19D317  |
| 4-1  | Frame Stator and Protector Assy       | High voltage<br>06P4012 | 08S401  | 11T401 | 12T401 | 13S401 | 14S401 | 15S401  | 08A4014 | 11E401 | 12E401 | 13D401 | 14E401  | 15E401 | 16E401 | 17D401 | 18D401 | 19D401  |
| 4-4  | Rear Housing                          | 06P404                  | 108P404 | 11T404 | 12P404 | 13P404 | 14D404 | 15D404  | 108P404 | 11T404 | 12P404 | 13P404 | 14D404  | 15D404 | 16D404 | 17C404 | 18C404 | 19C404  |
| 4-5  | Spring Washer                         | 06P405                  | 108P405 | 12P405 | 12P405 | 14P405 | 15C405 | 108P405 | 12P405  | 12P405 | 14P405 | 15C405 | 108P405 | 12P405 | 12P405 | 14P405 | 15C405 | 108P405 |
| 4-7  | Bolt-Rear Housing                     | 4P409                   | 11N/A   | N/A    | N/A    | N/A    | N/A    | 5A202   | 3       | N/A    | N/A    | N/A    | N/A     | N/A    | 5A202  | 3      | 7C407  | 4       |
| 4-8  | Fan Cover                             | N/A                     | 08P408  | N/A    | 2S408  | 13S408 | 14S408 | 16D408  | 108P408 | 11N/A  | 2S408  | 13S408 | 14S408  | 16D408 | 17D408 | 18D408 | 19D408 | 19D408  |
| 4-9  | Bolt-Fan Cover                        | N/A                     | 08P409  | N/A    | 2S409  | 32S409 | 34S409 | 32S409  | 308P409 | 3      | N/A    | 2S409  | 32S409  | 34S409 | 32S409 | 32S409 | 32S409 | 32S409  |
| 4-13 | Bolt-Frame                            | N/A                     | 08P413  | 2P413  | 42P413 | 44P413 | 44B413 | 4       | N/A     | 08P413 | 32P413 | 42P413 | 44P413  | 44D413 | 45D413 | 4      | N/A    | N/A     |
| 4-14 | Nut-Frame                             | 2P414                   | 32P414  | 32P414 | 42P414 | 42P414 | 9A515  | 4       | N/A     | 2P414  | 32P414 | 42P414 | 42P414  | 9A515  | 4      | N/A    | N/A    | N/A     |
| 4-15 | Spring Washer                         | 1P203                   | 21P203  | 31P203 | 41P203 | 41P203 | 42P206 | 42P206  | 31P203  | 1P203  | 41P203 | 41P203 | 42P206  | 42P206 | 42P206 | 31P203 | 42P203 | 49C203  |
| 4-19 | Bolt-Bearing Retainer-Front           | N/A                     | N/A     | N/A    | N/A    | N/A    | N/A    | N/A     | N/A     | N/A    | N/A    | N/A    | N/A     | N/A    | N/A    | N/A    | N/A    | N/A     |
| 4-20 | Bearing Retainer-Front                | N/A                     | N/A     | N/A    | N/A    | N/A    | N/A    | N/A     | N/A     | N/A    | N/A    | N/A    | N/A     | N/A    | N/A    | N/A    | 8C420  | 19C420  |
| 4-24 | Front Frame Cover                     | N/A                     | N/A     | N/A    | N/A    | N/A    | N/A    | N/A     | N/A     | N/A    | N/A    | N/A    | N/A     | N/A    | N/A    | 7C424  | 18C424 | 19C424  |
| 5-1  | Terminal Box Assembly                 | N/A                     | 1S501   | 11S501 | 11S501 | 11S501 | 14S501 | 15S501  | 11S501  | 11D501 | 11D501 | 11D501 | 14D501  | 11D501 | 16D501 | 11D501 | 18D501 | 19D501  |
| 6-1  | Capacitor Assy.                       | High voltage<br>06P6012 | 08S601  | 11T601 | 12T601 | 13T601 | 14T601 | 15S601  | 1       | N/A    | N/A    | N/A    | N/A     | N/A    | N/A    | N/A    | N/A    | N/A     |
| 7-1  | Hose Flange                           | N/A                     | N/A     | 1P701  | 21P701 | 23P701 | 24P701 | 24P701  | 2       | N/A    | 1P701  | 21P701 | 23P701  | 24P701 | 24P701 | 26A701 | 2      | N/A     |
| 7-2  | Bolt-Hose Flange                      | N/A                     | N/A     | 2P308  | 42P308 | 43Q702 | 43Q702 | 4       | N/A     | 2P308  | 42P308 | 43Q702 | 43Q702  | 43Q702 | 48A308 | 4      | N/A    | N/A     |
|      | "UL" Recognized                       | *1                      | *1      | *1     | *1     | *1     | *1     | *1      | *1      | *1     | *1     | *1     | *1      | *1     | *1     | *1     | *1     | *1      |
|      | "CSA" Recognized                      | *2                      | *2      | *2     | *2     | *2     | *2     | *2      | *2      | *2     | *2     | *2     | *2      | *2     | *2     | *2     | *2     | *2      |

The marking \* 1 :Recognized (Expect : -5WModels)  
\* 2 :Recognized (All Models)